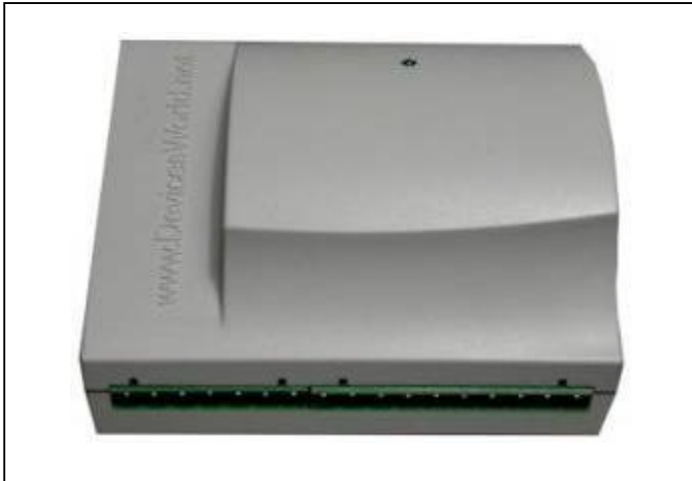


Data Logger & Internet Gateway 1000 Series



Features:

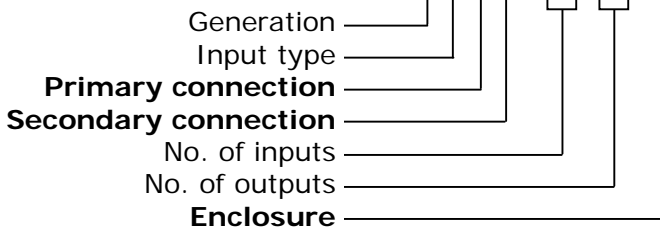
- ❖ Internet Gateway with built-in modem
- ❖ Connects to server via dial-up ISP
- ❖ 10 input and 2 output channels
- ❖ Accepts volt-free contacts or 0/5VDC
- ❖ Compact, Low Cost

Applications:

- ❖ Building Facility Management
- ❖ Environmental Monitoring
- ❖ Monitoring of remote, unmanned assets

How to order

1011.1002 A



Product Description

The Gateway 1000 series is designed for exception-based monitoring. It accepts up to 10 volt-free contact inputs, and connects to iSCADA server over the Internet using a dial-up ISP account. Communication with server is event-driven, with user-configurable auto connect and auto-disconnect intervals.

Order options available for this series

Internet Connectivity options

[Primary.Secondary]⁺

- 0.0 Slave Device connecting via Gateway only*
- 1.1 Built-in PSTN only*
- 3.3 External GSM only*

* When primary and secondary Internet connectivity codes are identical, there is no back up connectivity.

Enclosure option

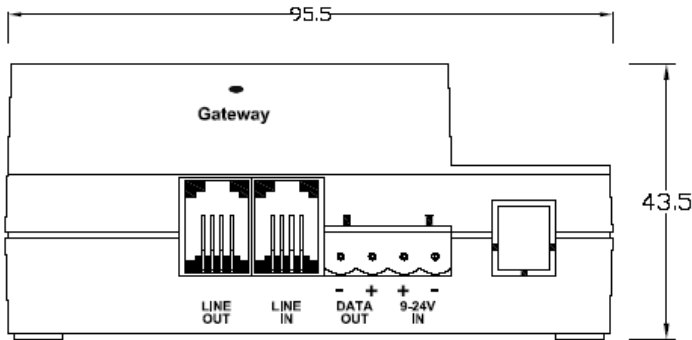
- X: Open frame / PCB only
- A: ABS Enclosure

⁺ Only the following combinations are supported for this series. For more connectivity options and analogue inputs, refer to the 2nnn.1002 series.

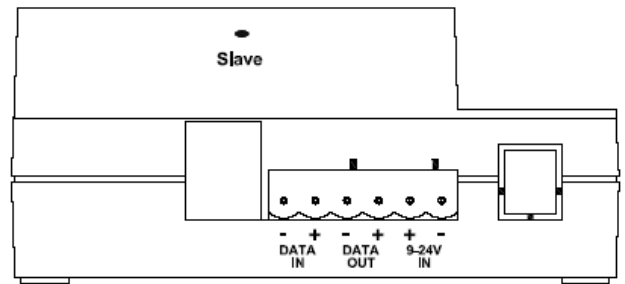
Product Specifications

Input Channels:	10	Data rate:	1 event every 2 seconds
Input type:	Digital, Volt-free	Auto-Connect:	10 minutes to Never
Output Channel 11:	Open collector, 90mA	Auto-Disconnect:	1 minute to Never
Output Channel 12:	N.O. contact, 5A DC	System Check:	Server supervised
Communication:	PSTN Dial-up	Supply Voltage:	9-30VDC
Modem:	Built-in 2400 bps	Standby Current:	12 mA
I/O expansion:	RS485 to Slaves	Maximum Current:	15 mA, when online
Maximum Slaves:	15	Storage memory:	90 events
Maximum range:	1000 meters	Memory:	Non-volatile memory
Server:	By Host IP, programmable	Event time stamp:	Server Time. No RTC
Device password:	User programmable	Operating Temp:	0-50°C
Data security:	Device-Server encrypted	Rel. Humidity:	95% non-condensing
Data Transmission:	Event driven	Dimension WxDxH:	95.5 x 79.0 x 43.5 mm

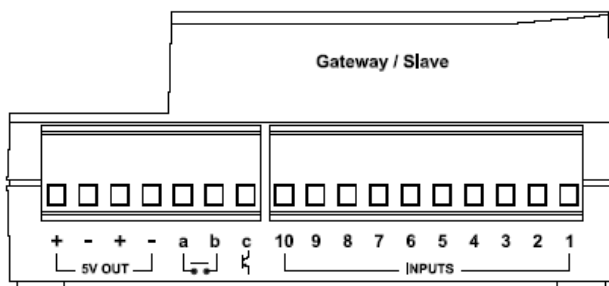
Mechanical Drawings



Front View: Telephone, RS485 and Power connectors



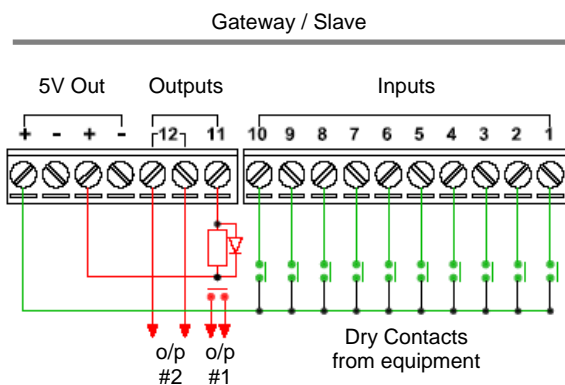
Front View: RS485 and Power connectors



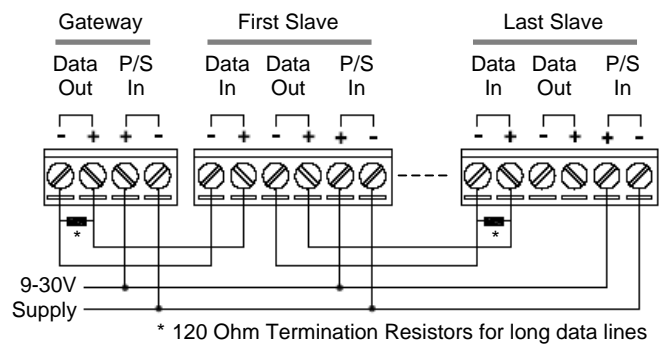
Rear View: Input and Output connectors

Wiring Guide

Input and Output connectors



Power Supply and RS485 connectors



Optional Accessories

- DC Power Supply
- Charger
- SLA Battery
- Interface boards
- Enclosure for multiple devices
- Sensors & Transducers